

# WSA110

Single Phase Smart  
Prepayment Meter



## Overview

WSA110 is a BS structure single phase smart prepaid meter with LCD for split prepaid metering system.

It complies with STS and DLMS standards and uses multiple technical solutions to communicate with AMI or AMR systems.

## Highlights

1. Dual-Circuits measuring
2. Down-link communicate with CIU by PLC/RF/MBUS
3. Up-link communicate with DCU by GSM/3G/CDMA
4. Easy to uplink upgrade by Hot swappable module
5. Support Firmware remote update
6. STS Prepayment by UIU or remote Token sending
7. STS Prepayment supports STS1.0 or STS2.0(CTS)
8. UIU support transfer Token by different media such as keyboard or RF card.
9. Relay Control(Tamper\Debt\Power Control\Remote)
10. By Pass detect
11. Battery replaceable
12. Meter with LCD to display meter parameters



# Single Phase Smart Prepayment Meter



## Main Feature

### Measurement

1. Active Energy Measurement in both direction
2. Instantaneous value measurement
3. Maximum demand/Cumulative demand
4. Power Measurement including Active power/  
Reactive power/Apparent power

### Self-Diagnostic and Detection

1. Real time clock(RTC) indicator
2. Non-volatile memory status indicator
3. Battery capacity indicator
4. Replaceable Battery
5. All display segments self-diagnostic check
6. Display LCD in power-off condition by button

7. Tampering Proof and detection function
8. Record the cumulative number  
of power outages
9. Power Quality Monitor:  
Under Voltage, Over Voltage, etc

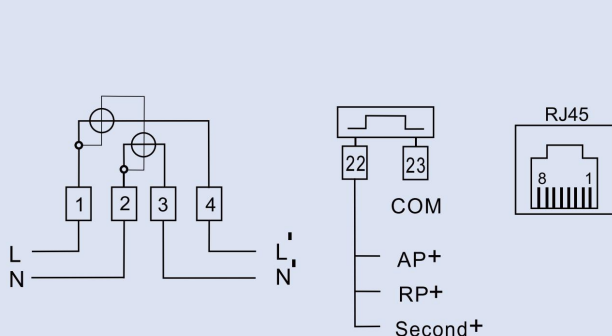
### LCD Display

1. Display content can be configured
2. LCD backlight
3. Large digit LCD display, easy for reading

## Technical Specifications

Voltage	Reference	220V, 230V, 240V
	Operating range	0.7-1.3Un
Frequency		50Hz or 60Hz
Current	Basic Current (Ib)	5A, 10A
	Maximum Current (Imax)	40A, 60A, 80A, 100A
Accuracy	Active(and apparent )	CL0.5
	Reactive	CL2.0
Typical Power Consumption	Voltage circuit active / apparent power at Un	≤2W
	Current circuit apparent power at Ib	≤10VA
Degree of Protection		IP54
Weight of Meter		1.2kg
Dimensions		238.5mm (L) ×130mm (W) ×68mm (H)
Meter Service Life		>10years

## Connection diagram



## Dimension diagram

